

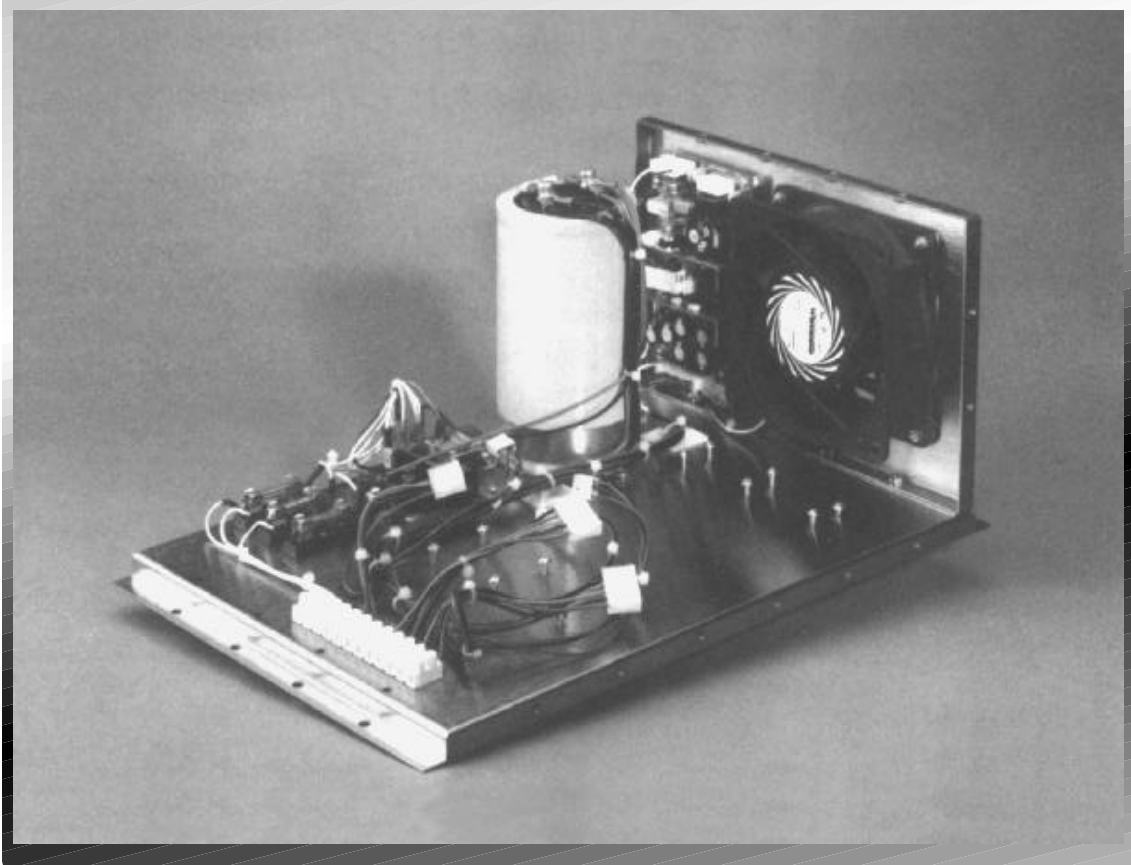
Product:
Power Chassis

Used For:
6E and 8E Size Amplifiers

Mounting:
Stand Alone or Panel Mount

Power:
Up to 320 VDC @ 50 A

#of Axes:
Up to Three



PDP-SX

Open Frame High-Voltage Power Chassis

The PDP-SX is an open frame power chassis for use with high voltage (140 to 500 Volts) edge mount style amplifiers. If a covered chassis is required, look to the EDP Series. Equipped with 3 open slots for amplifiers or accessory cards, the PDP Series chassis includes an unregulated Bus Voltage supply, a regulated Bias Supply, and pre-wired connections for amplifier inputs and outputs. Available options include a Shunt Regulator card (30A peak, 10A RMS @ 320 Volts), and Inductor Assemblies for use with low-inductance motors. The Shunt Regulator option should be ordered if PWM amplifiers are used and the application requires rapid acceleration or deceleration. All components are housed within the footprint of the chassis. PDP Series chassis do not require a transformer, and can be connected directly to single phase or three phase AC power lines (three phase is recommended to help minimize current ripple).

All PDP Series chassis come with cooling fans. Connections for AC input and amplifier outputs are made through a heavy-duty terminal block.

- ◉ Pre-Wired Connections for Amplifier Inputs and Outputs
- ◉ For Large, High-Power Amplifiers
- ◉ Direct Connection to 120 or 240 VAC Input Power
- ◉ Built In ± 12 VDC Bias Supply
- ◉ "Soft Start" Circuitry for Bus Voltage
- ◉ Simplifies Amplifier Installation and Connection
- ◉ Can House Brush Type or Brushless Amplifiers
- ◉ Built In Cooling Fans
- ◉ Advanced Design, High Quality and High Reliability at a Lower Cost

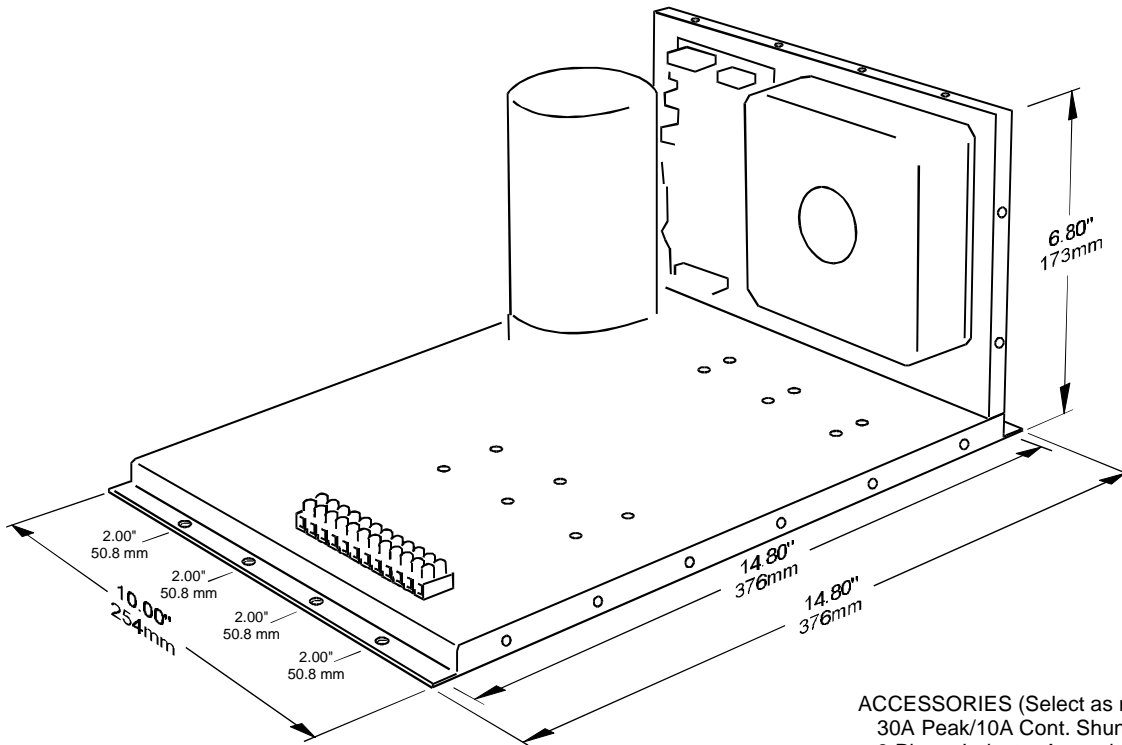
SPECIFICATIONS

Standard Models:	S3-32/30	S3-32/50
Max # of Axes	3	3
Weight	8.06 Lb 3.66 Kg	8.06 Lb 3.66 Kg
Dimensions	14.80 x 10.00 x 6.80" 376 x 254 x 173mm	14.80 x 10.00 x 6.80" 376 x 254 x 173mm
Notes		
Input Voltage	230 VAC max	230 VAC max
Bus Output Voltage	320 VDC max	320 VDC max
Bus Output Current*	30 A Cont.	50 A Cont.
Accessories	See Chart Below	
Recommended Amplifiers	BPW-S1, DAA-S1	

PINOOTS

TB1: TERMINAL BLOCK	
Consult the User's Manual for more detailed information.	
Pin	Function
1	AC Input
2	AC Input
3	AC Input (3 phase AC only)
4	Axis 3, Phase A
5	Axis 3, Phase B
6	Axis 3, Phase C
7	Axis 2, Phase A
8	Axis 2, Phase B
9	Axis 2, Phase C
10	Axis 1, Phase A
11	Axis 1, Phase B
12	Axis 1, Phase C

*All ratings with forced air cooling to maintain 40°C internal temperature. Failure to keep constant air flow to the unit will reduce the output current capacity and may result in damage to the unit.



ACCESSORIES (Select as needed):
 30A Peak/10A Cont. Shunt Regulator
 3 Phase Inductor Assembly

ACC-C1B
 ACC-C2B

Ordering Information:

Product	Order Number
PDP-S3-32/30 Chassis 320 VDC/30A	WS-901-0001
PDP-S3-32/50 Chassis 320 VDC/50A	WS-901-0008
ACC-C1B Shunt Regulator 30A Peak	WS-011-0013
ACC-C2B 3 Phase Inductor Assembly	WS-011-0011

Represented By: