

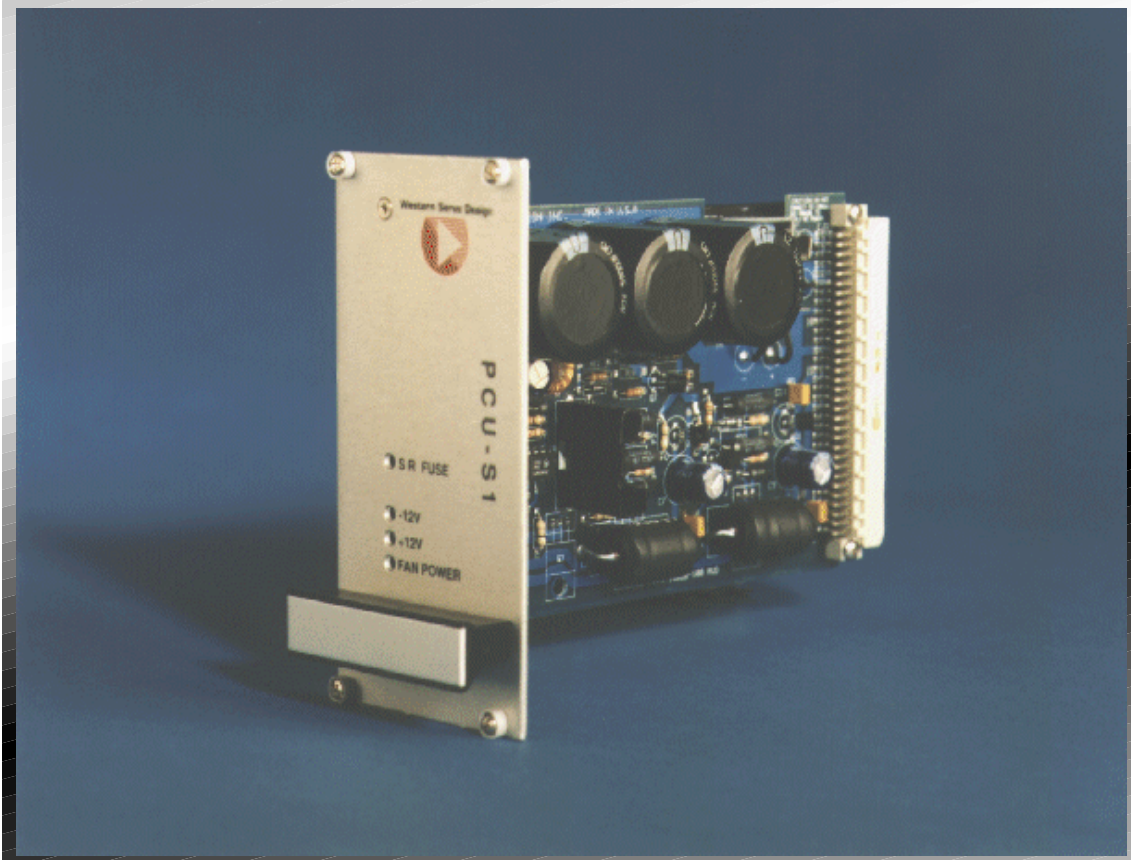
Product:
Power Supply

Used For:
Low Voltage Rack Products

Mounting:
Stand Alone or Rack Mount

Power:
Up to 60 VDC @ 30 A

#of Axes:
N/A



PCU-S1

Eurocard Form Factor Low-Voltage Power Supply

The PCU-S1 is a power supply module with a 3U Eurocard form factor intended for use as a Bus and Bias supply for the low voltage series of Western Servo Design amplifiers (e.g., BLU, LDU and PDU). It can be used in a Eurorack (or "VME") style chassis or as a stand alone unit.

The PCU-S1 contains a DC Bus unregulated output, a regulated Bias Supply ($\pm 12\text{VDC}$), a 12VDC output for cooling fans, and a built-in shunt regulator. When PWM amplifiers are used, the shunt regulator prevents back EMF generated by the motors from damaging components in the Bus Supply and amplifiers.

An optional backplane is available to allow quick and easy access to the inputs and outputs for the power supplies and the shunt regulator. This greatly simplifies implementing the PCU-S1 in a motion control system.

- Eurocard 6U Form Factor
- Contains Bus Supply, Bias Supply and 12VDC Fan Supply
- Built-In Shunt Regulator
- Front Panel Status LEDs for Bias Supply, Fan Supply and Shunt Regulator Fuse
- 30 Ampere Continuous Output Current
- Optional Backplane Simplifies System Connection
- Advanced Design, High Quality and High Reliability at a Lower Cost

SPECIFICATIONS

Standard Models:	6/30
Maximum AC Input Voltage*	43VAC RMS
Minimum AC Input Voltage	19VAC RMS
Bus Voltage Output	Approx. 1.4 x VAC in
Bus Output Current**	30A Continuous
Bias Voltage Output**	+12VDC @ 2A, -12VDC @ 1A
Cooling Fan Output	12VDC @ 1A
Shunt Regulator Load	7Ω @ 50W or more (only needed when Bus Voltage is higher than 40VDC)
Weight	1.16 Lbs (2.55 Kg)
Recommended Chassis	CH3U, CH6U Eurocard
Available Accessories	MA3U-P1-1 Backplane

*Do not connect 120VAC power to the AC input of the PCU-S1. Contact Western Servo for more information about appropriate step-down transformers. Use the PSU-S1 model Power Supply if higher Bus Voltages and direct connection to AC Mains (120 to 240VAC) are required.

**All ratings with forced air cooling to maintain 40°C heat sink temperature. Failure to keep constant air flow to the heat sink will reduce the output current capacity and may result in damage to the unit.

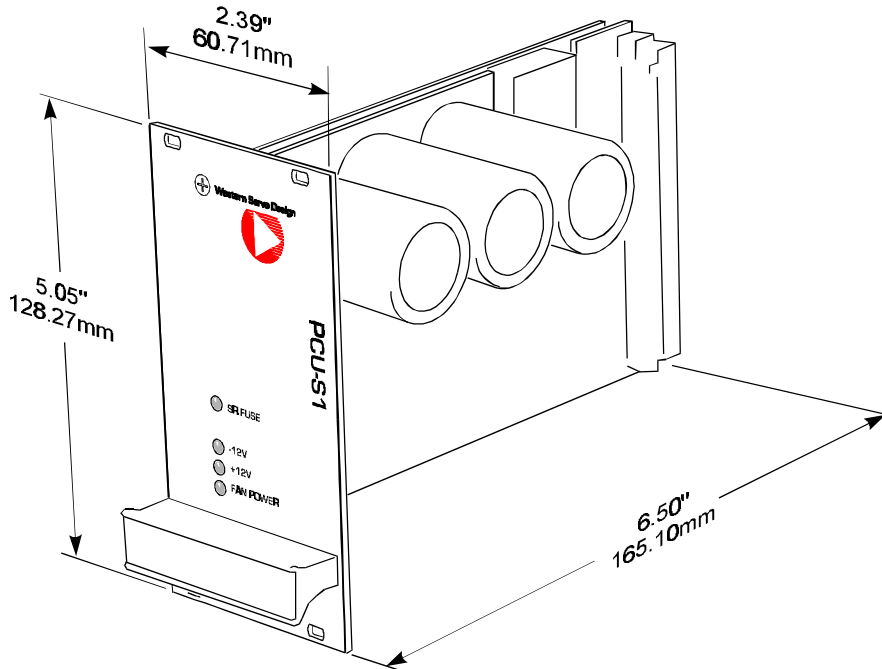
PINOUTS

J1: INPUT & OUTPUT POWER

See User's Manual for Backplane Connections

ROWS A, B & C

Pin	Function
1 - 3	AC Input
4 - 6	AC Input
7	No Connection
8	+Bias Out (+12VDC)
9	Bias Ground
10	-Bias Out (-12VDC)
11	No Connection
12	Fan Supply Out (+12VDC)
13	Ground
14	No Connection
15, 16	Shunt Load Resistor
17	No Connection
18, 19	Shunt Load Resistor
20 - 26	No Connection
27 - 29	Bus Ground
30 - 32	+Bus Out



Ordering Information:

Product	Order Number
PCU-S1-6/30 Power Sup 60VDC/30A Cont	WS-009-0001
ACC-V1X Backplane	WS-011-0001

Represented By:

--