

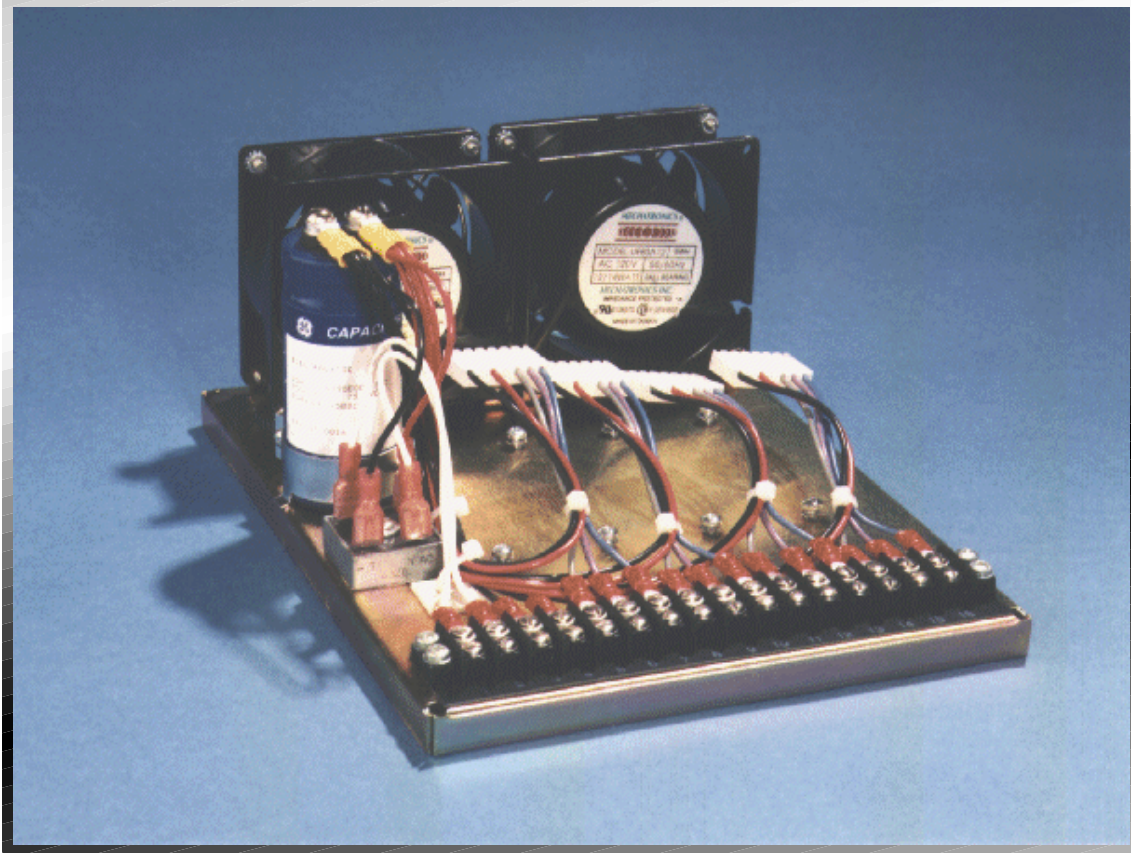
Product:
Power Chassis

Used For:
3E Size Amplifiers

Mounting:
Stand Alone or Panel Mount

Power:
Up to 80 VDC @ 25 A

#of Axes:
Up to Nine



LDP-Sx

Open Frame Low-Voltage Power Chassis

The LDP-Sx is a small footprint open frame power chassis for use with low voltage (80 Volts or less) edge mount style amplifiers. Available in two, four, six and nine axis versions, the LDP Series chassis includes an unregulated Bus Voltage supply, and pre-wired connections for amplifier inputs and outputs. Available options include a regulated Bias Supply ($\pm 12\text{VDC}$ @ 500mA) / Shunt Regulator card (10A peak, 3A RMS @ 60 Volts), and Inductor Assemblies for use with low-inductance motors. All components are housed within the footprint of the chassis, with the exception of the four axis version, which requires an external transformer.

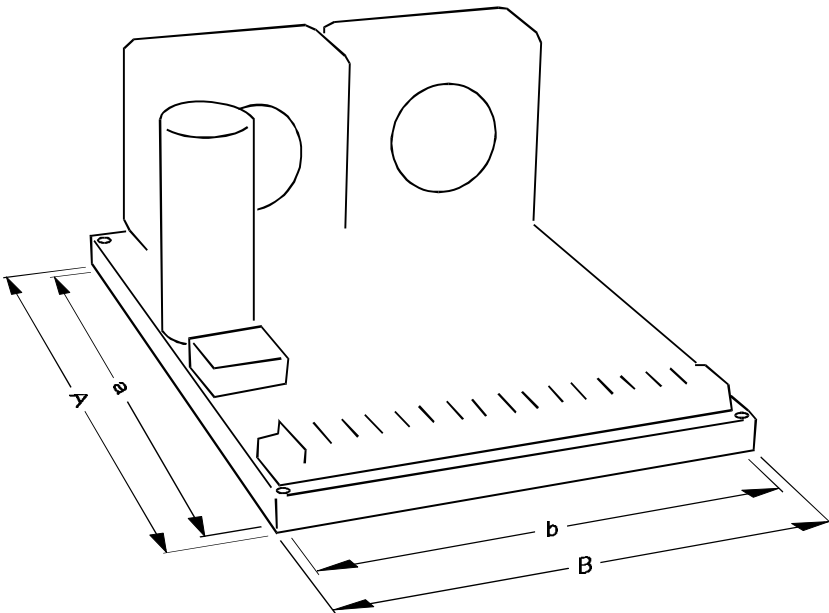
All LDP Series chassis come with cooling fans. Connections for AC input and amplifier outputs are made through a heavy-duty terminal block.

- ◉ Pre-Wired Connections for Amplifier Inputs and Outputs
- ◉ Available Bus Voltages: 27, 35, 40, 45, 60 or 80VDC
- ◉ Available Bias Supply / Shunt Regulator Card (Bias: $\pm 12\text{ VDC}$ @ 500mA / Shunt Reg: 10A Peak, 3A RMS @ 60V)
- ◉ Small Footprint
- ◉ Simplifies Amplifier Installation and Connection
- ◉ Can House Brush Type or Brushless Amplifiers
- ◉ Built In Cooling Fans
- ◉ Advanced Design, High Quality and High Reliability at a Lower Cost

SPECIFICATIONS

Standard Models:	S2	S4	S6	S9
Max # of Axes	2	4	6	9
Weight	10.30 Lb 4.67 Kg	3.45 Lb 1.56 Kg	19.88 Lb 9.02 Kg	21.90 Lb 9.93 Kg
Dimensions (A x B)	7.20 x 8.90" 183 x 226mm	7.10 x 9.05" 180 x 230mm	12.10 x 9.75" 307 x 248mm	16.42 x 9.75" 417 x 248mm
Mounting Dims (a x b)	6.80 x 8.50" 173 x 216mm	6.80 x 8.75" 173 x 222mm	11.70 x 9.35" 297 x 237mm	16.02 x 9.35" 407 x 237mm
Notes		External Transformer		
Input Voltage	120VAC			
Bus Output Voltage	27, 35, 40, 45, 60 or 80 VDC			
Bus Output Current*	25 A Continuous			
Main Transformer	250 Watt Standard, Others Optional			
Accessories	See Chart Below			
Recommended Amplifiers	BLH-S1, BLH-S3, LDH-A1, LDH-S1, LDH-S2, LDH-S3, PDH-S2, PDH-S3, BPW-S3, BPW-S4			

*All ratings with forced air cooling to maintain 40°C internal temperature. Failure to keep constant air flow to the unit will reduce the output current capacity and may result in damage to the unit.



PINOOTS

TB1: TERMINAL BLOCK

Connections shown below are for the nine axis version. Other versions use similar pin assignments with correspondingly fewer axes. Due to the fact that it uses an external transformer, the four-axis version has two extra inputs for AC supply to the cooling fans. Consult the User's Manuals for more detailed information.

Pin	Function
1	120VAC Input
2	120VAC Input
3	Input Ground
4	Axis 9, Phase A
5	Axis 9, Phase B
6	Axis 9, Phase C
7	Axis 8, Phase A
8	Axis 8, Phase B
9	Axis 8, Phase C
10	Axis 7, Phase A
11	Axis 7, Phase B
12	Axis 7, Phase C
13	Axis 6, Phase A
14	Axis 6, Phase B
15	Axis 6, Phase C
16	Axis 5, Phase A
17	Axis 5, Phase B
18	Axis 5, Phase C
19	Axis 4, Phase A
20	Axis 4, Phase B
21	Axis 4, Phase C
22	Axis 3, Phase A
23	Axis 3, Phase B
24	Axis 3, Phase C
25	Axis 2, Phase A
26	Axis 2, Phase B
27	Axis 2, Phase C
28	Axis 1, Phase A
29	Axis 1, Phase B
30	Axis 1, Phase C

OPTIONS (Must select one):

.25 kVa Transformer (27, 35 or 45V Bus)	OPT-T1A
.50 kVa Transformer	OPT-T2A
1.0 kVa Transformer	OPT-T3A
.25 kVa Transformer (40, 60 or 80 V Bus)	OPT-T1B
.50 kVa Transformer	OPT-T2B
1.0 kVa Transformer	OPT-T3B

ACCESSORIES (Select as needed):

Bias Supply / Shunt Regulator Card	ACC-C1A
3 Phase Inductor Assembly	ACC-C2B

Ordering Information:

Product	Order Number
LDP-S2-x/25 2 Slot Power Chassis	WS-900-0001
LDP-S4-x/25 4 Slot Power Chassis	WS-900-0002
LDP-S6-x/25 6 Slot Power Chassis	WS-900-0003
LDP-S9-x/25 9 Slot Power Chassis	WS-900-0004
ACC-C1A Bias Supply/Shunt Reg	WS-011-0010
ACC-C2B 3 Phase Inductor Assy.	WS-011-0011

Represented By: